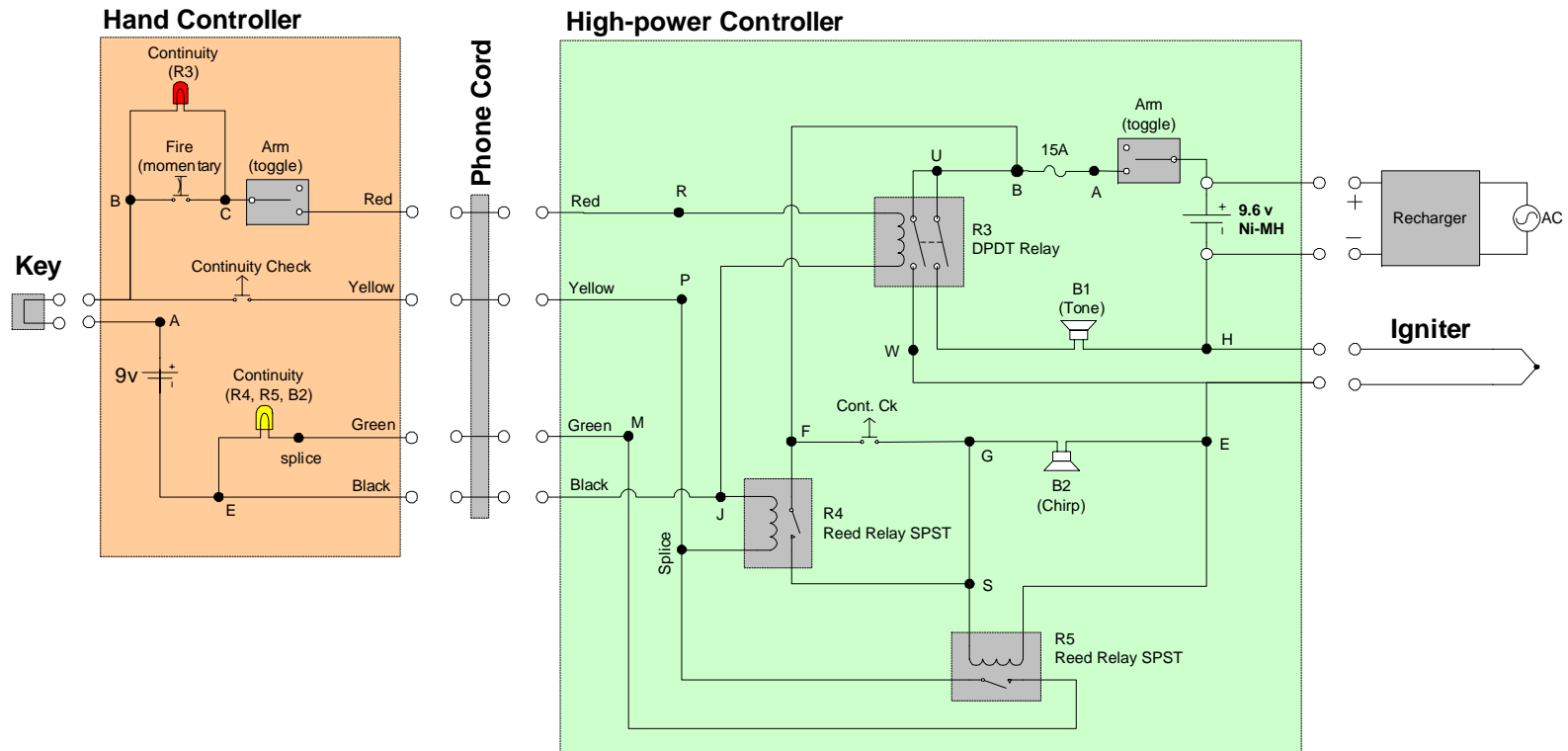


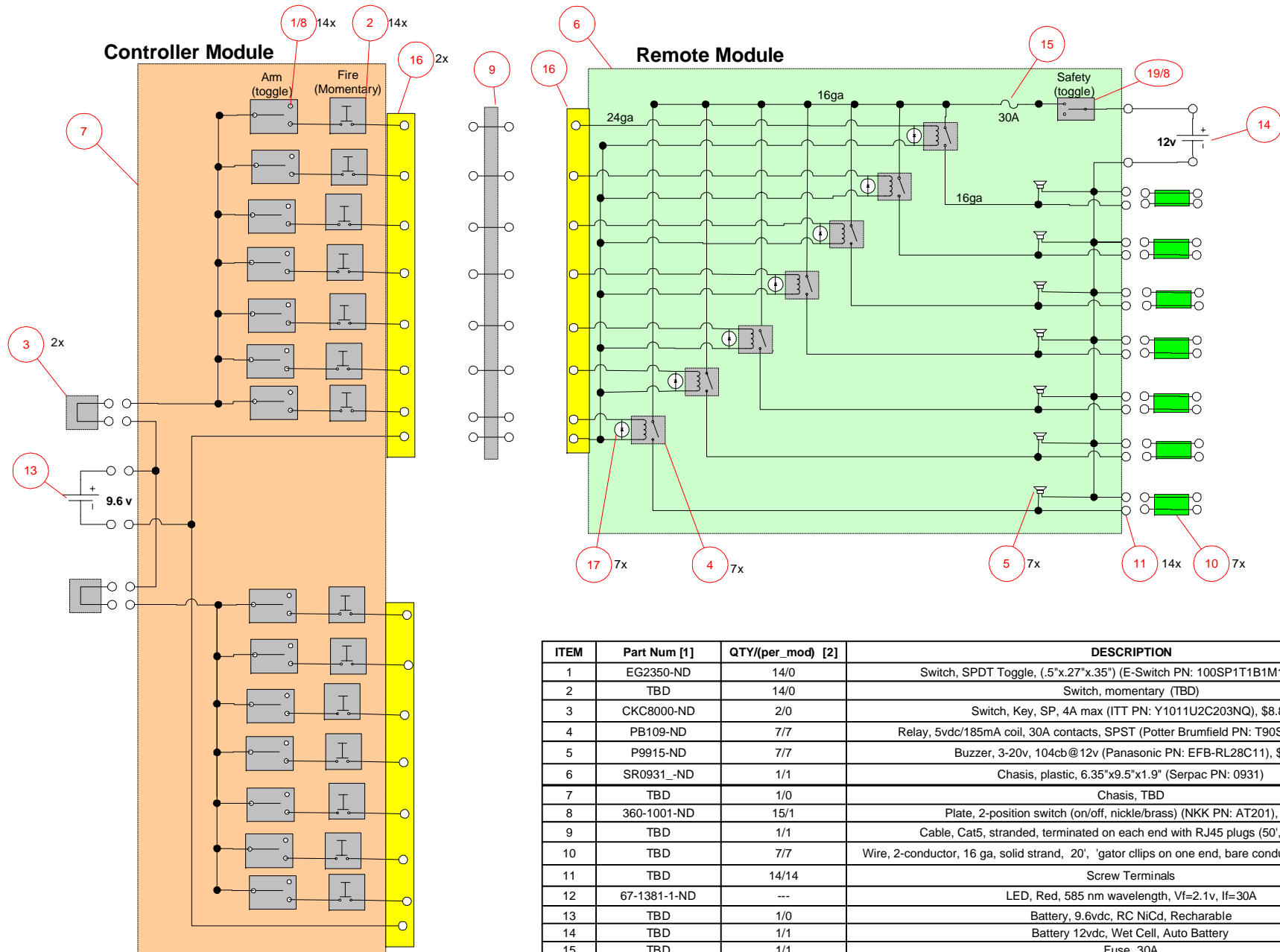
High Power Rocket Relay Controller



Notes:

(1) The continuity circuit draws 15mA through the igniter.

Multi-Channel Relay Controller



Notes:

1. This system has no continuity checking, avoiding the concern of prematurely igniting low-current igniters.
2. The buzzers in the remote Module serves two purposes:
 - to enunciate the firecommand (mainly for a quick circuit test)
 - to enunciate a failed-closed relay (very important safety feature)

ITEM	Part Num [1]	QTY(per_mod) [2]	DESCRIPTION
1	EG2350-ND	14/0	Switch, SPDT Toggle, (.5"x.27"x.35") (E-Switch PN: 100SP1T1B1M1QE), \$2.94
2	TBD	14/0	Switch, momentary (TBD)
3	CKC8000-ND	2/0	Switch, Key, SP, 4A max (ITT PN: Y1011U2C203NQ), \$8.89
4	PB109-ND	7/7	Relay, 5vdc/185mA coil, 30A contacts, SPST (Potter Brumfield PN: T90S1D12-5), \$2.33
5	P9915-ND	7/7	Buzzer, 3-20v, 104cb@12v (Panasonic PN: EFB-RL28C11), \$2.47
6	SR0931_-ND	1/1	Chassis, plastic, 6.35"x9.5"x1.9" (Serpac PN: 0931)
7	TBD	1/0	Chassis, TBD
8	360-1001-ND	15/1	Plate, 2-position switch (on/off, nickel/brass) (NKK PN: AT201), \$ 0.58
9	TBD	1/1	Cable, Cat5, stranded, terminated on each end with RJ45 plugs (50', 100', 200')
10	TBD	7/7	Wire, 2-conductor, 16 ga, solid strand, 20', 'gator clips on one end, bare conductor on the other end
11	TBD	14/14	Screw Terminals
12	67-1381-1-ND	---	LED, Red, 585 nm wavelength, Vf=2.1v, If=30A
13	TBD	1/0	Battery, 9.6vdc, RC NiCd, Rechargeable
14	TBD	1/1	Battery 12vdc, Wet Cell, Auto Battery
15	TBD	1/1	Fuse, 30A
16	TBD	3/1	RJ45 Female
17	TBD	7/7	Diode
18	TBD	---	Resistor, 1KOhm
19	360-1206-ND	1/1	Switch, toggle, SPST, 15A rating (NKK PN: S1F), \$5.43
20	TBD	QTY	Description

[1] Unless otherwise noted, PN is Digi-Key PN

[2] 'QTY' is for the 14-channel Controller Module and one 7-channel Remote Module. 'per_mod' is the quantity needed for an additional 7-channel Remote Module.